

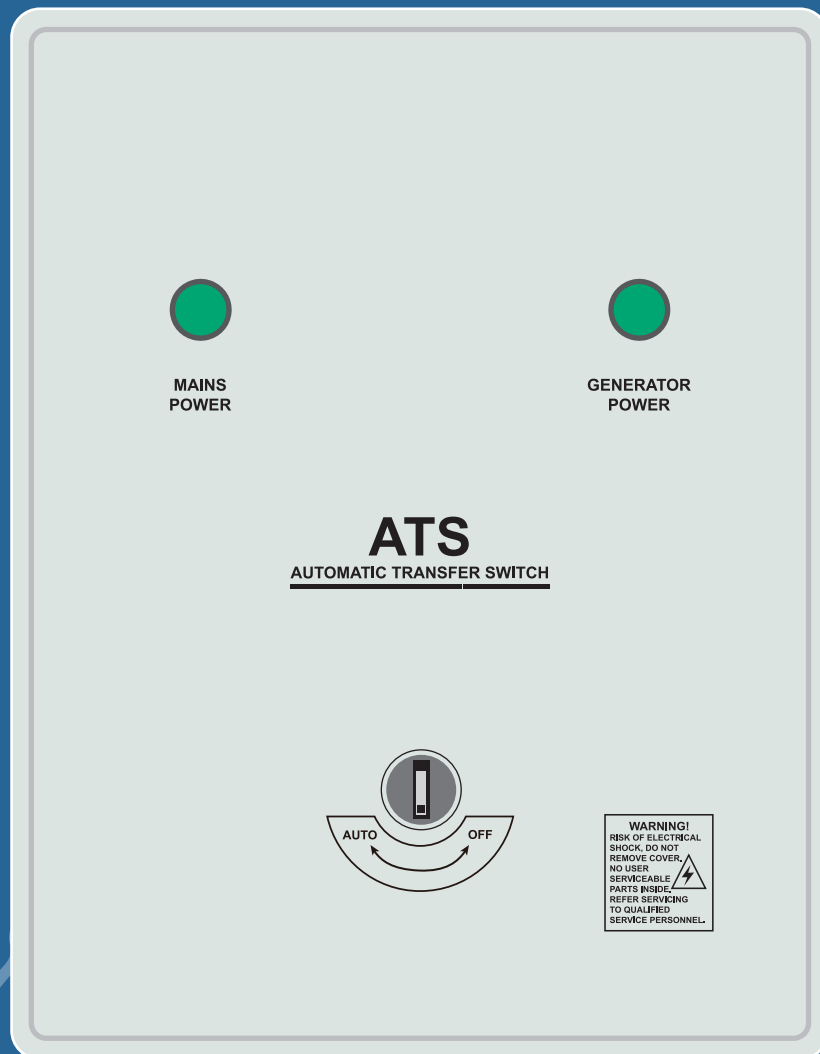
Automatic Transfer Switch User Manual

ATS-W-50A-1

ATS-W-25A-3

ATS-W-80A-1

ATS-W-40A-3



Safty warning



Keep away from fire



Keep dry



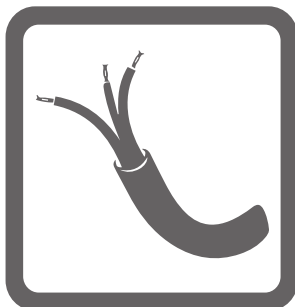
High humidity is easy to get an electric shock



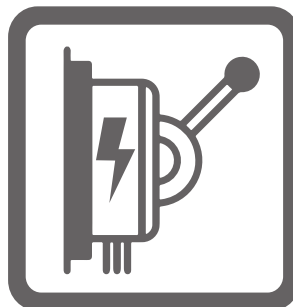
Operated by professionals



Regularly check whether the terminals are fixed



Regularly check cable wear

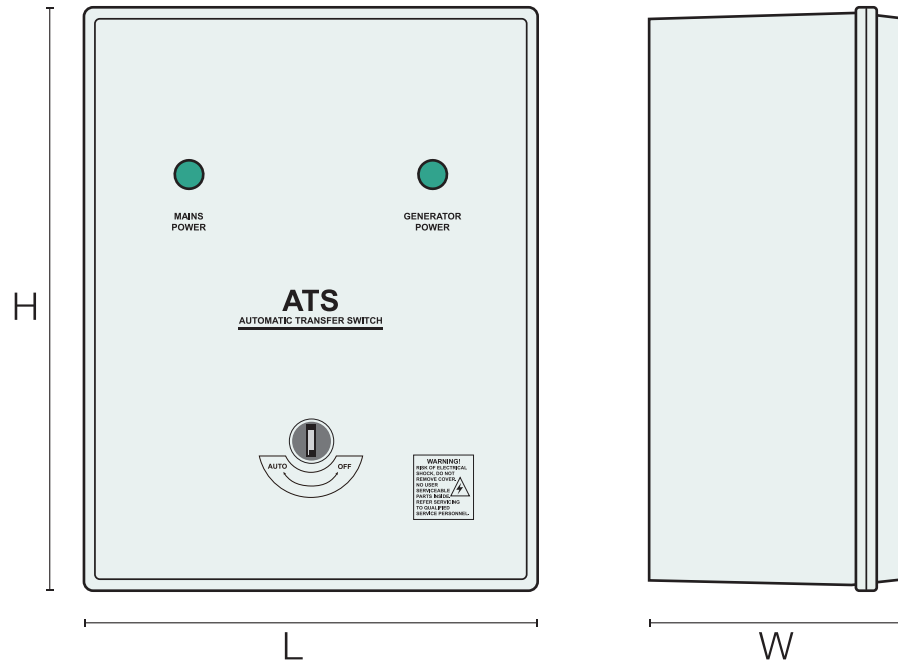


Cut off the power before operation



Don't leave the tools inside, it may cause electric shock

Data sheet



Model		ATS-W-50A-1	ATS-W-25A-3	ATS-W-80A-1	ATS-W-40A-3
Frequency	Hz	50 / 60	50 / 60	50 / 60	50 / 60
DC power	V	8-18	8-18	8-18	8-18
Power consumption	W	10	10	10	10
Operating voltage	V	230	400	230	400
Operating current	A	50	25	80	40
Environment temperature	°C	-20 ~ 50	-20 ~ 50	-20 ~ 50	-20 ~ 50
Environment humidity	%	20-90	20-90	20-90	20-90
Net Weight	kg	6.0	6.0	8.0	8.0
Gross Weight	kg	6.5	6.5	8.5	8.5
Product Dimensions (L×W×H)	mm	300×170×400	300×170×400	350×200×450	350×200×450
Package Dimensions (L×W×H)	mm	360×260×440	360×260×440	410×280×490	410×280×490
FCL 20' / 40'HQ		760 / 1750	760 / 1750	550 / 1276	550 / 1276

ATS box introduction

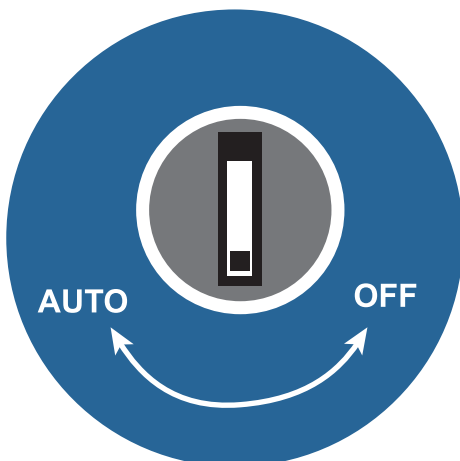
1. Generator power light

2. Mains power light

3. Transfer switch

4. Cable hole (AC230/400V)

5. Signal cable socket (DC12V)



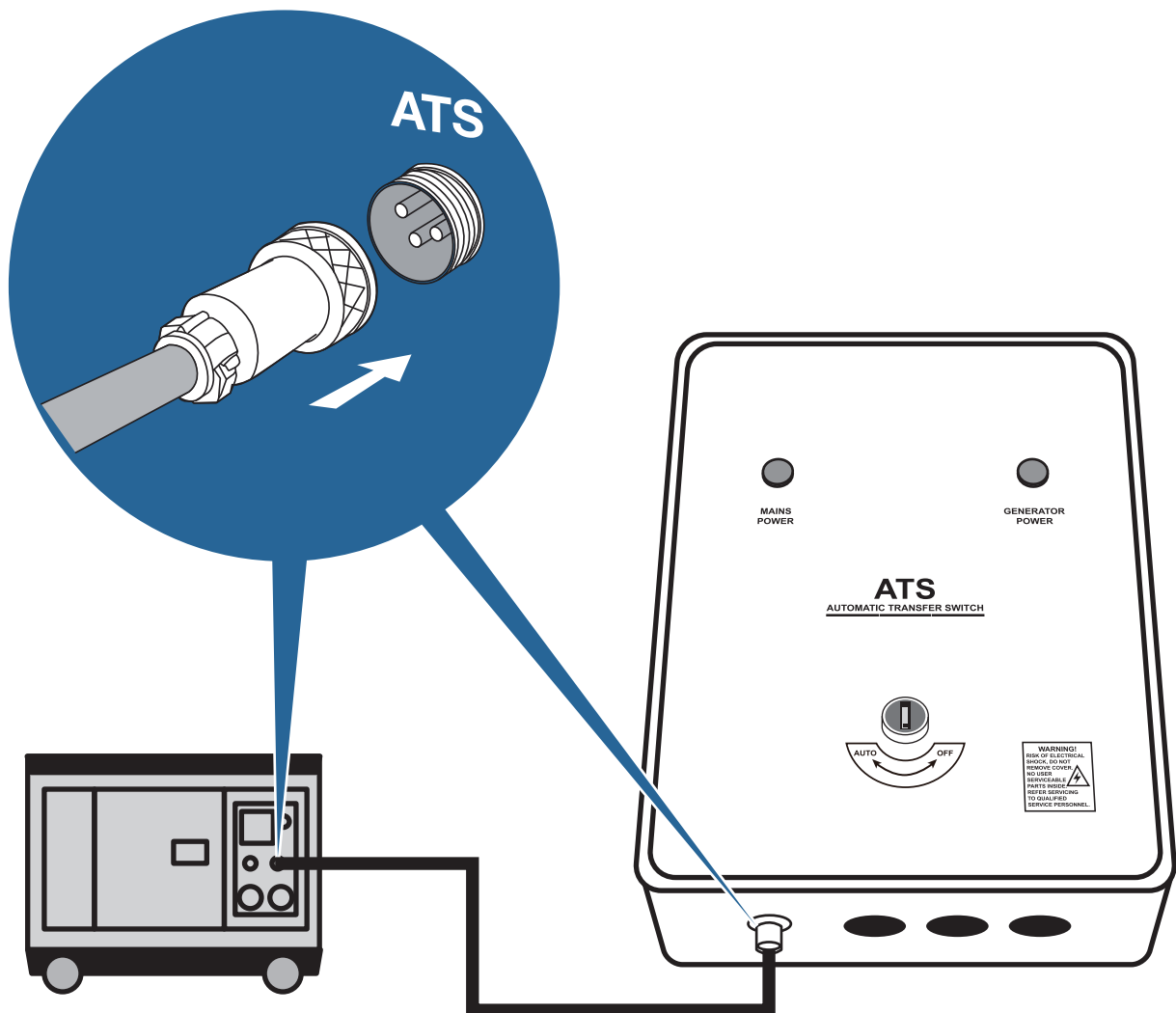
AUTO ATS system works automatically.

OFF Switch off ATS and Mains power.

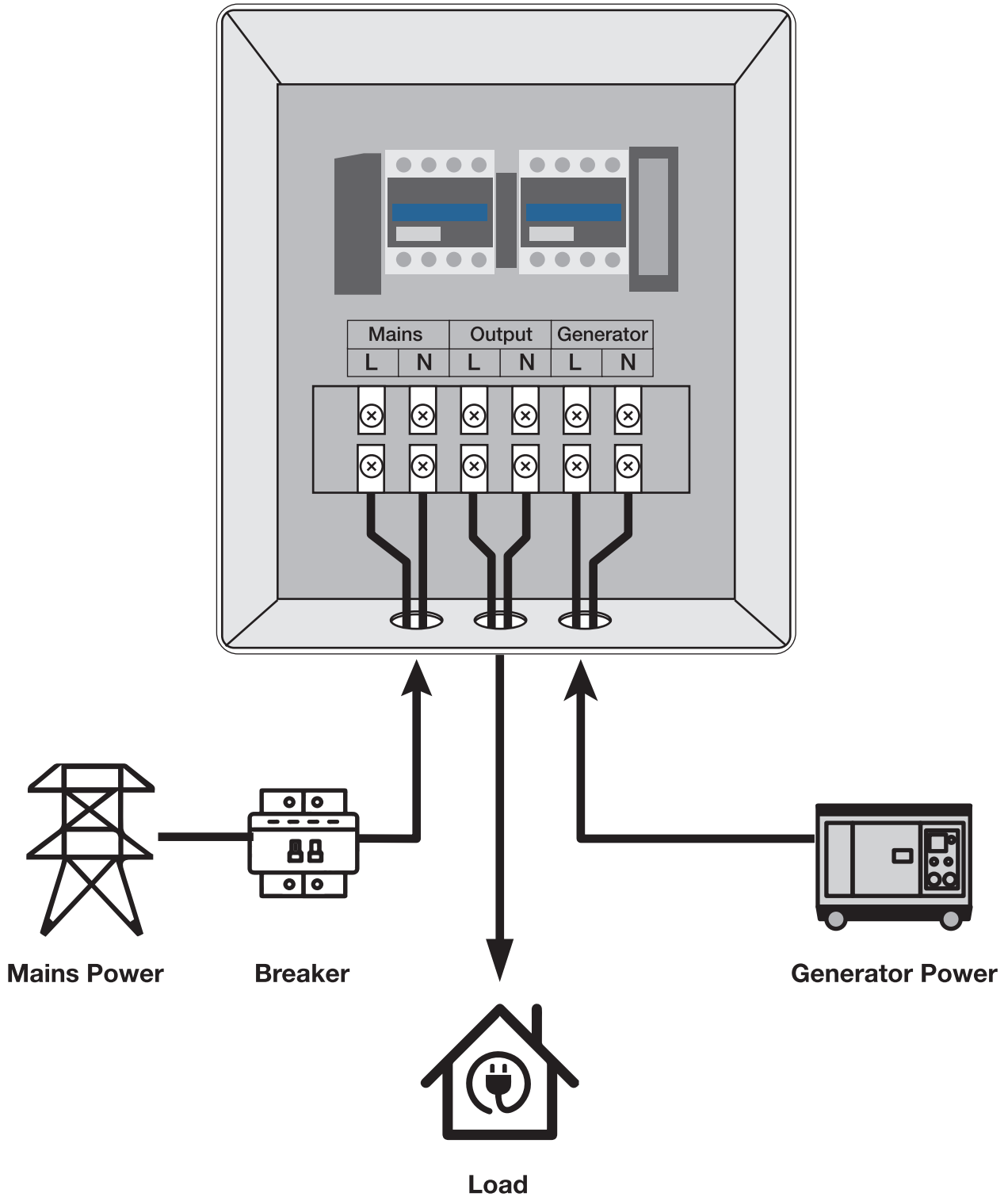
Connect the signal cable

Notice:

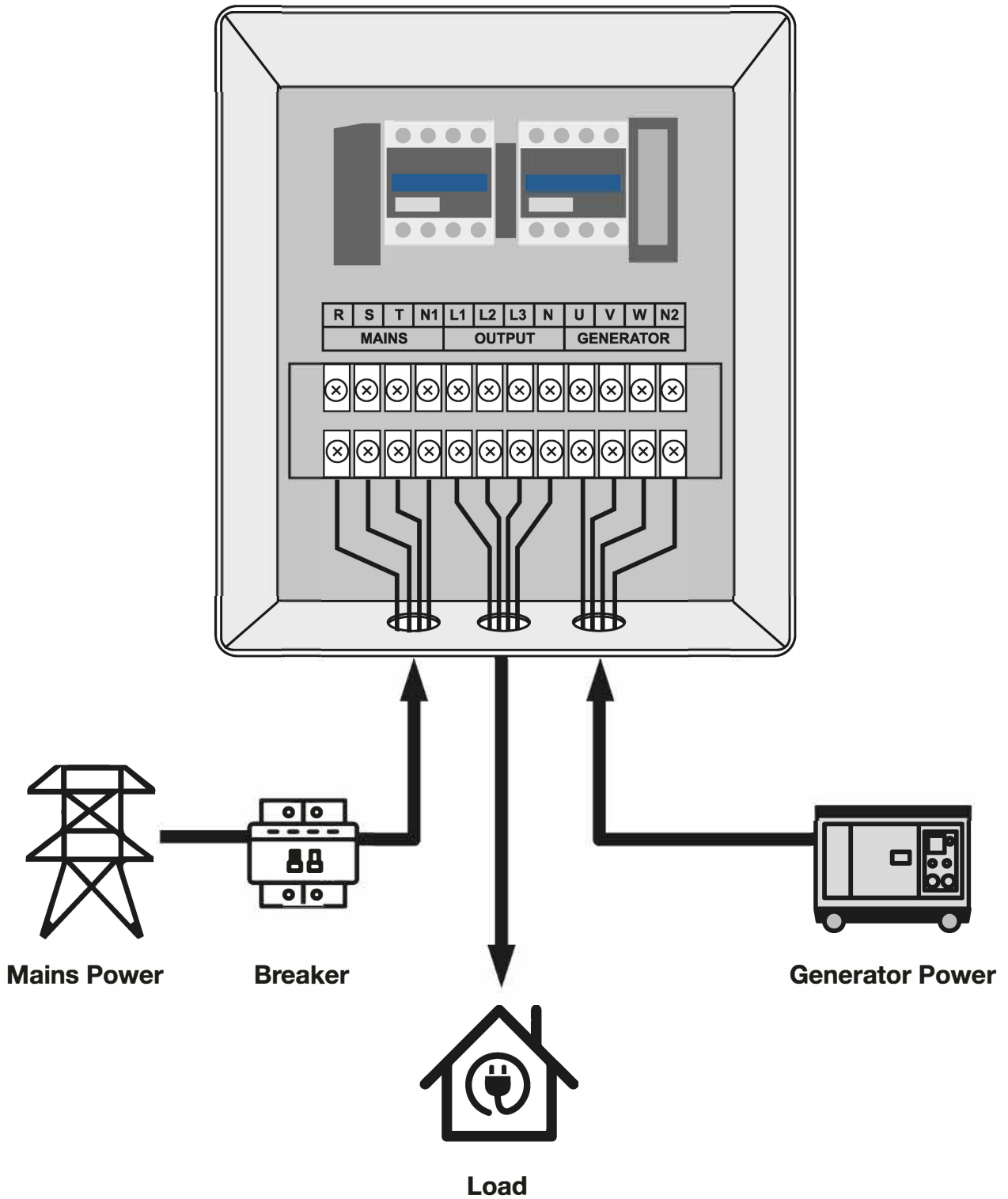
Switch OFF the mains power and then connect the signal cable .
Must connect the signal cable and ATS works automatically.



Wiring method (Single Phase)

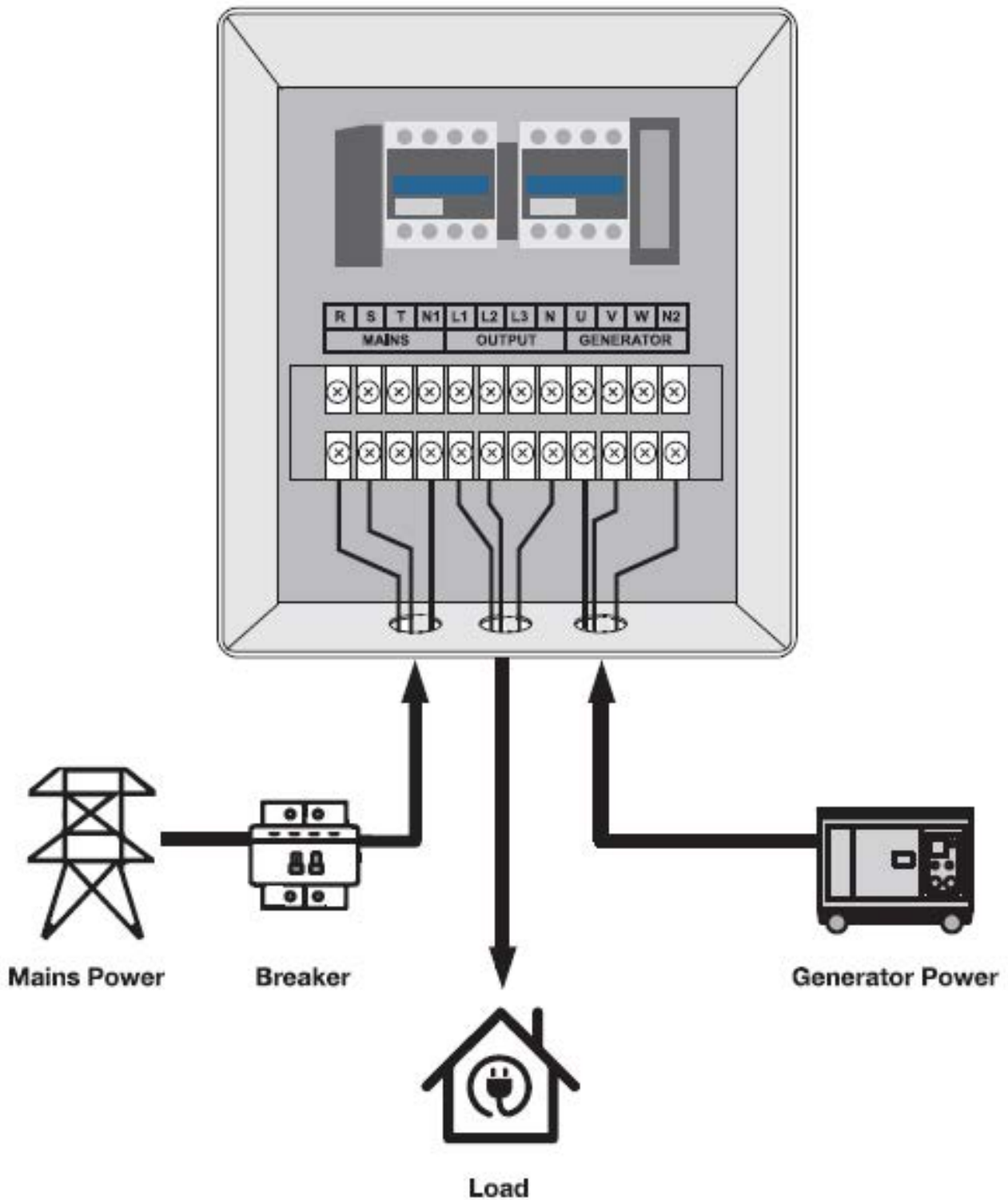


Wiring method (Three Phase)

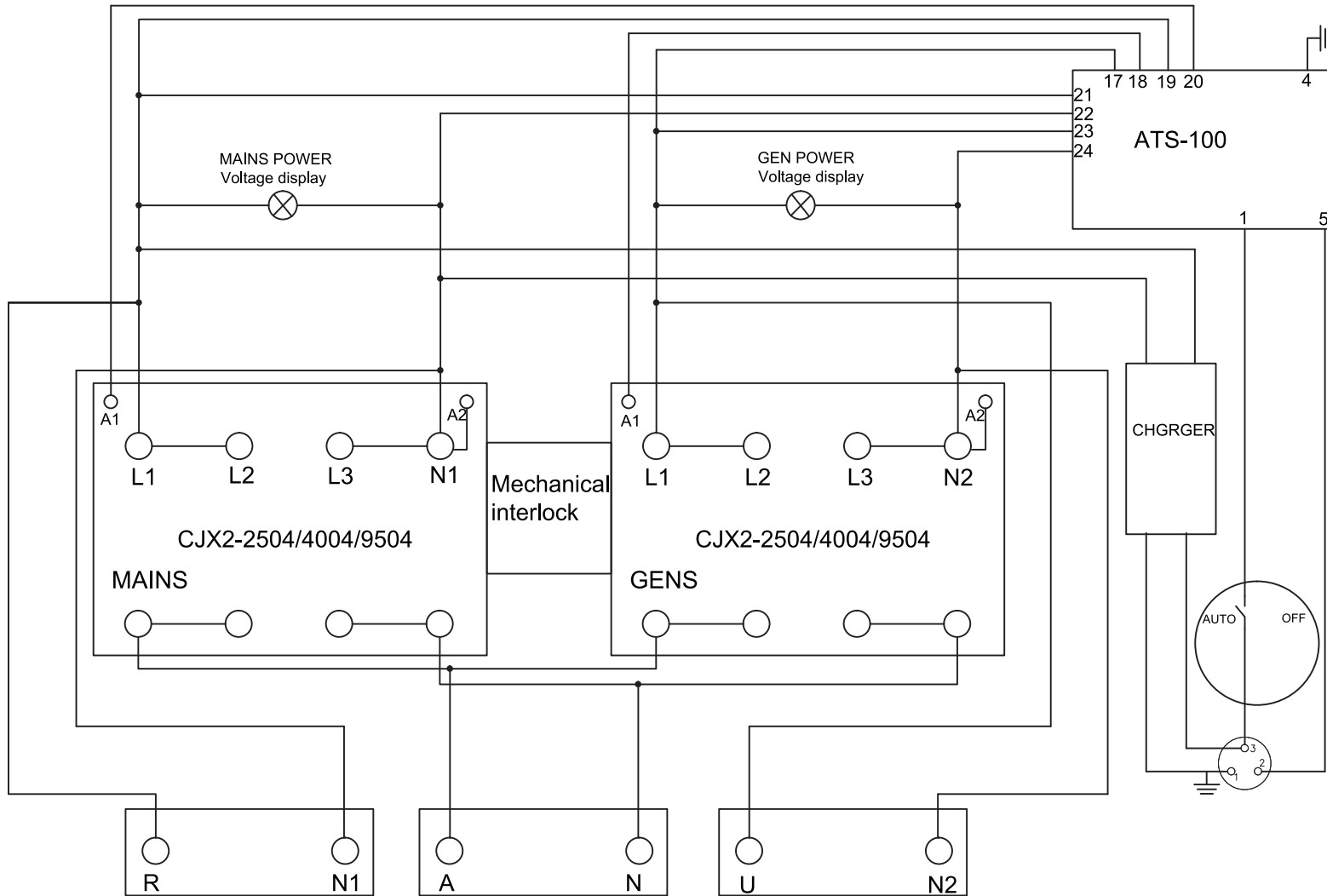


Wiring method (Three Phase)

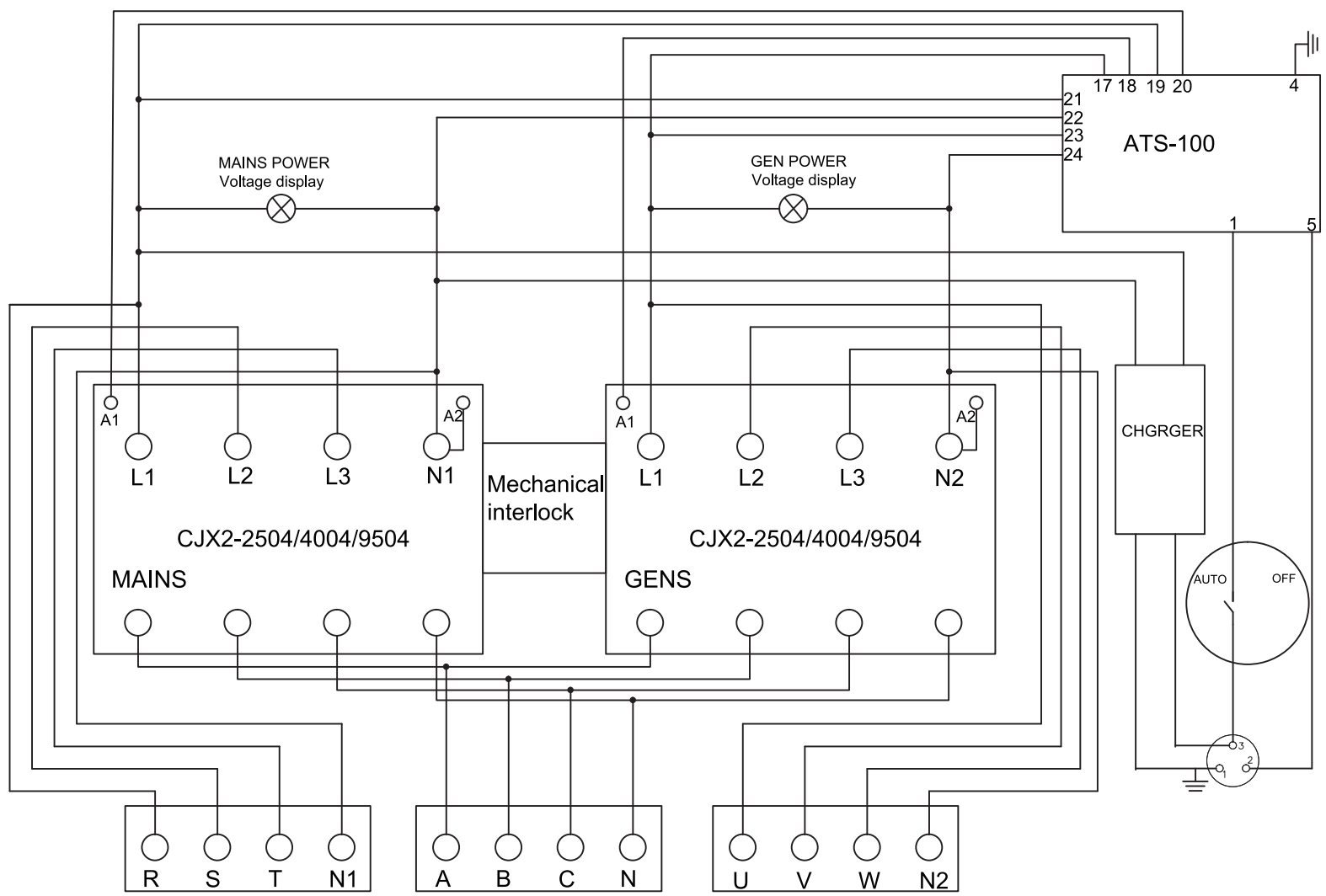
3x230V



Circuit diagram (Single Phase)



- | NO. | FUNCTION |
|--------|---------------------|
| 1. | B+ |
| 4. | B- |
| 5. | FUEL |
| 17-18. | CLOSE GENS |
| 19-20. | CLOSE MAINS |
| 21-22. | MAINS VOLTAGE INPUT |
| 23-24. | GENS VOLTAGE INPUT |



- | | |
|--------|---------------------|
| NO. | FUNCTION |
| 1. | B+ |
| 4. | B- |
| 5. | FUEL |
| 17-18. | CLOSE GENS |
| 19-20. | CLOSE MAINS |
| 21-22. | MAINS VOLTAGE INPUT |
| 23-24. | GENS VOLTAGE INPUT |

Circuit diagram (Three Phase)

ATS User Manual
Ver. 20211019

